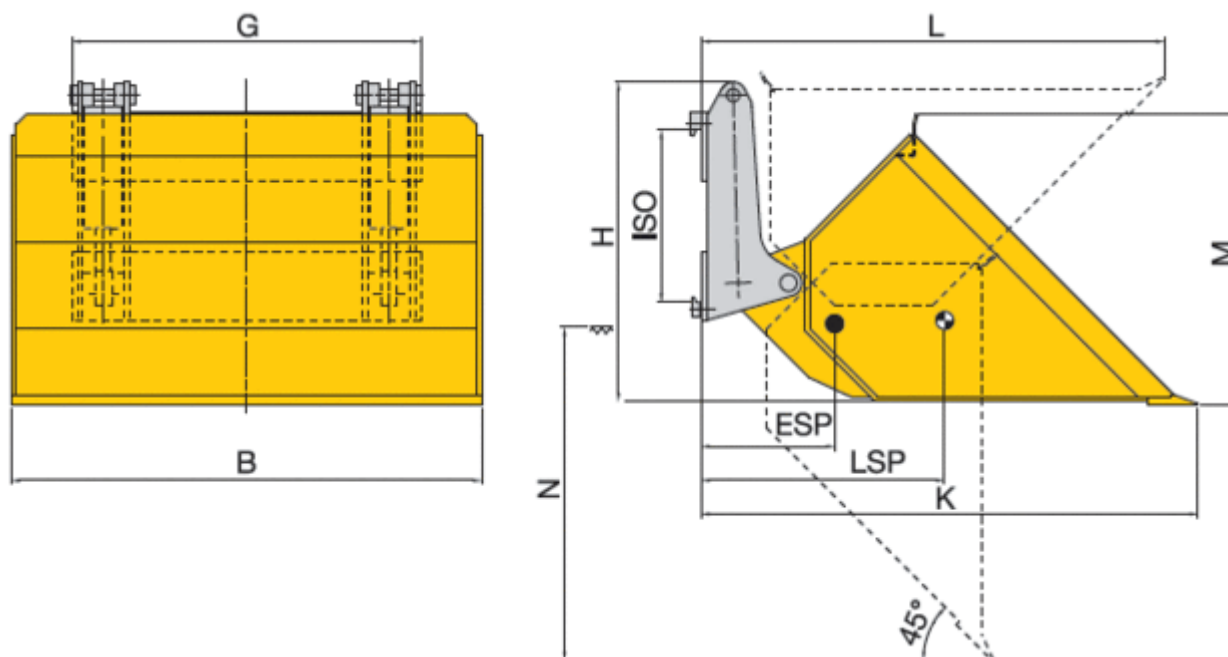


Bulk Buckets

1 hydraulic function



Specific weights of bulk goods (kg/cbm)

Brown coal	700
Sand, Gravel (wet)	2000
Cement	1800
Grain, Legumes	800
Concrete	2200
Fertilizer	1200
Potatoes, Turnips	750

Bulk buckets 2-cylinder (bulk weight max. 2000 kg/cbm)

Model	Vol*	ISO	B	G	K	L	M	N**	H	LC (LSP)	CoG (ESP)	Weight
	cbm		mm	mm	mm	mm	mm	mm	mm	mm	mm	kg
S 4 - SCH 0,4	0,4	2	1000	840	1305	1255	775	860	960	680	400	370
S 4 - SCH 0,6	0,6	2/3	1200	840	1405	1325	825	930	960	720	460	410
S 4 - SCH 0,8	0,8	2/3	1600	1040	1405	1325	825	930	960	720	480	470
S 4 - SCH 1,0	1,0	3/4	1900	1040	1405	1325	825	930	960	720	500	510

Bulk buckets, 2-cylinder, reinforced (bulk weight max. 3000 kg/cbm)

Model	Vol*	ISO	B	G	K	L	M	N**	H	LC (LSP)	CoG (ESP)	Weight
	cbm		mm	mm	mm	mm	mm	mm	mm	mm	mm	kg
S 4 - SCHV 0,4	0,4	2	1000	840	1310	1260	780	865	960	680	420	410
S 4 - SCHV 0,6	0,6	2/3	1200	840	1410	1330	830	935	960	720	470	450
S 4 - SCHV 0,8	0,8	3/4	1600	1040	1410	1330	830	935	960	720	490	510
S 4 - SCHV 1,0	1,0	3/4	1900	1040	1410	1330	830	935	960	720	510	550

- Surcharge for QD hooks for quick mounting of the attachment

for ISO 2

for ISO 3

for ISO 4

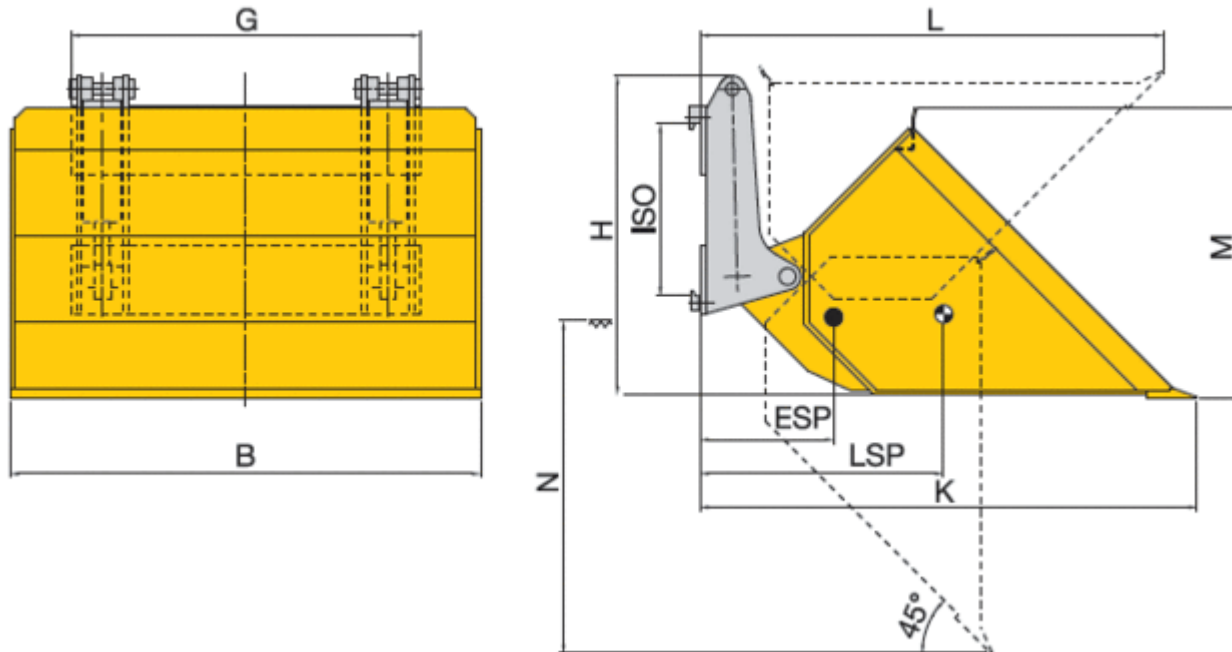
- Prices for special widths as well as scrap buckets on request.

* The volume specification refers to heaped fillings,
level fillings x 0.8.

** Dimension N applies to mounting A,
for mounting B the dimension is reduced correspondingly.

Bulk Buckets

1 hydraulic function



Specific weights of bulk goods (kg/cbm)

Brown coal	700
Sand, Gravel (wet)	2000
Cement	1800
Grain, Legumes	800
Concrete	2200
Fertilizer	1200
Potatoes, Turnips	750

Bulk buckets, 2-cylinder, for agricultural use (bulk weight max. 1500 kg/cbm) equipped with high overflow plate and side walls

Model	Vol*	ISO	B	G	K	L	M	N**	H	LC (LSP)	CoG (ESP)	Weight
	cbm		mm	mm	mm	mm	mm					
S 4 - SCHL 0,6	0,6	2/3	1200	840	1405	1325	940	930	960	745	460	420
S 4 - SCHL 0,8	0,8	2/3	1200	840	1555	1430	1015	1040	960	815	520	450
S 4 - SCHL 1,0	1,0	2/3	1200	840	1705	1535	1090	1145	960	885	580	490
S 4 - SCHL 1,2	1,2	2/3	1500	1040	1705	1535	1090	1145	960	885	590	550
S 4 - SCHL 1,5	1,5	2/3	1500	1040	1855	1645	1165	1250	970	960	650	590
S 4 - SCHL 2,0	2,0	3/4	1900	1040	1905	1680	1190	1285	960	980	670	700

Bulk buckets, large volume, 2-cylinder (bulk weight max. 1500 kg/cbm)

Model	Vol*	ISO	B	G	K	L	M	N**	H	LC (LSP)	CoG (ESP)	Weight
	cbm		mm	mm	mm	mm	mm	mm	mm	mm	mm	kg
S 4 - SCHG 1,5	1,5	3/4	1600	1040	1810	1600	945	1210	960	860	650	610
S 4 - SCHG 2,0	2,0	3/4	1900	1040	1955	1715	1100	1320	960	970	700	670
S 4 - SCHG 2,5	2,5	3/4	2200	1400	2060	1790	1205	1395	960	1010	740	760
S 4 - SCHG 3,0	3,0	3/4	2500	1400	2160	1860	1305	1465	960	1040	770	890

- Surcharge for QD hooks for quick mounting of the attachment

for ISO 2

for ISO 3

for ISO 4

- Prices for special widths as well as scrap buckets on request.

* The volume specification refers to heaped fillings,
level fillings x 0.8.

** Dimension N applies to mounting A,
for mounting B the dimension is reduced correspondingly.

Bucket, Slip-on Type

On request.

